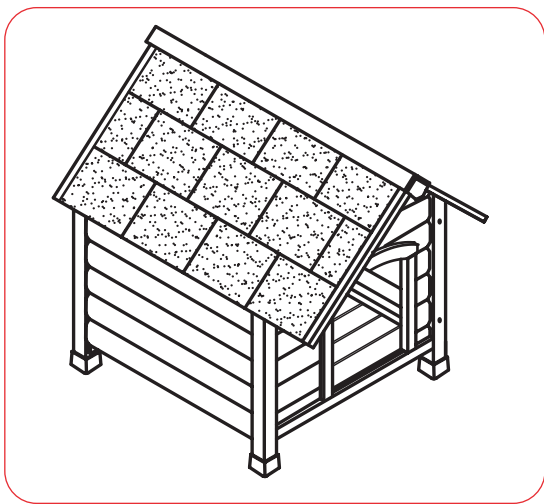
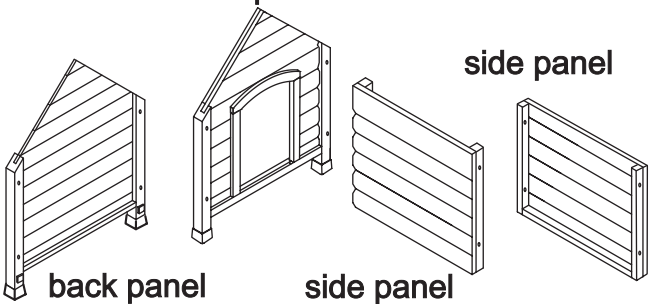


82394/82395

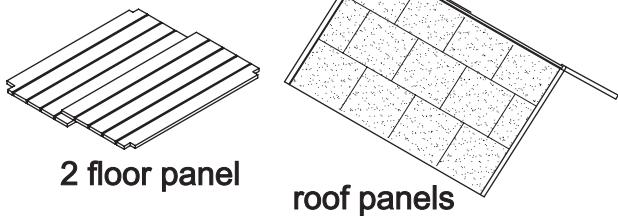


front panel



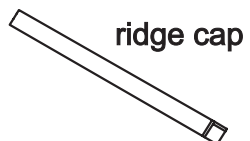
back panel

side panel



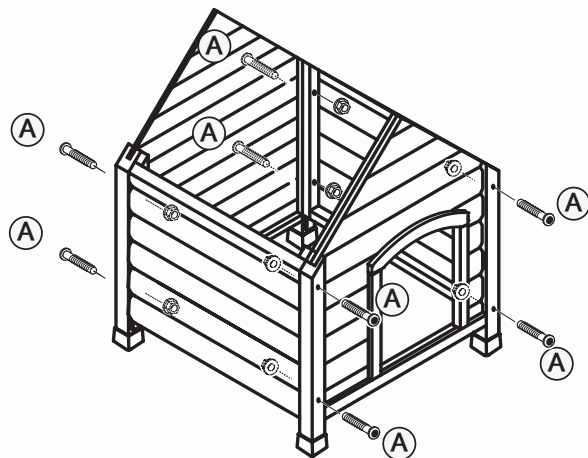
2 floor panel

roof panels



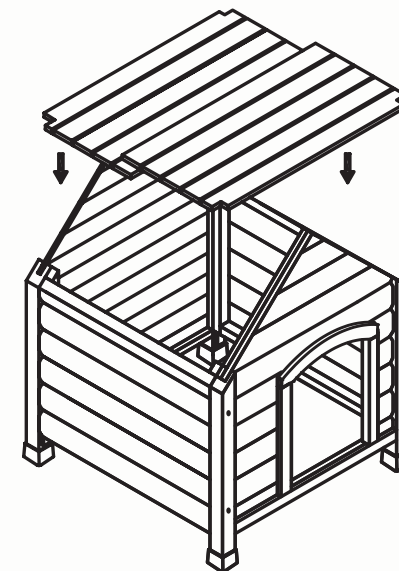
ridge cap

- (A) M5x65 8+1
- (B) ϕ 3.5x35 8+1
- (C) ϕ 3.5x25 4+1



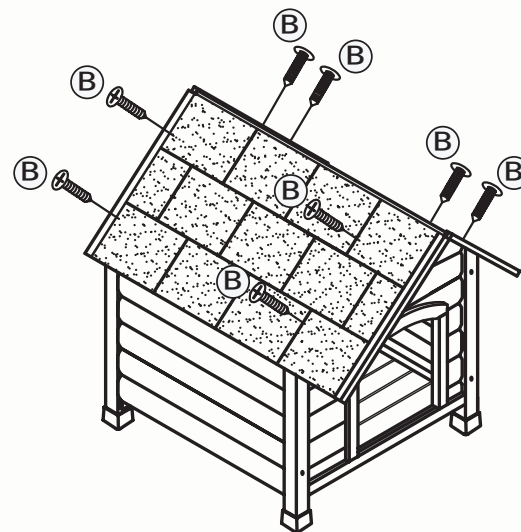
1

Fix the front/side/back panels with bolts and nuts A.



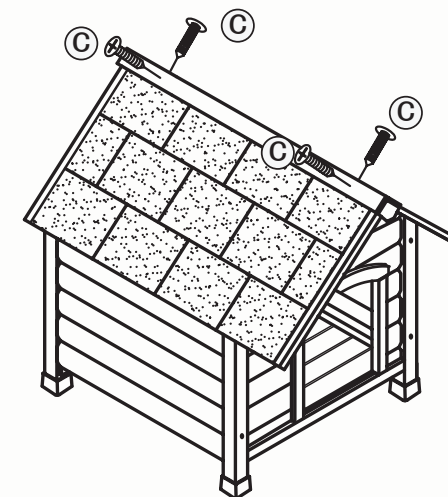
2

Place the two floor panels.



3

Fix the roof panels with screw B through the pre-drilled holes. The longer eave should face the front.



4

Attach the ridge cap with screw C. You can adjust the legs' height to accommodate uneven ground.